

# BROCHURE V-RINGS

---

SECOND EDITION, 2021



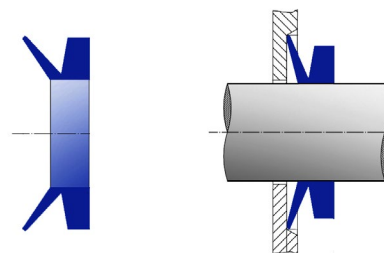
# TABLE OF CONTENTS

DESCRIPTION OF V-RINGS .....	5
V-RINGS TYPES OVERVIEW .....	6
V-RINGS STANDARD MATERIAL OPTIONS.....	7
V-RING TYPE AV .....	8
SIZE CHART V-RING TYPE AV.....	9-12
V-RING TYPE SV .....	13
SIZE CHART V-RING TYPE SV .....	14-15
V-RING TYPE LV.....	16
SIZE CHART V-RING TYPE LV .....	17-18
V-RING TYPE EV .....	19
SIZE CHART V-RING TYPE EV .....	20
V-RING TYPE AXV .....	21-26
SIZE CHART V-RING TYPE AXV .....	27-29
INSTALLATION AND OPERATION.....	30
ORDER CODE.....	32

# V-RINGS

## DESCRIPTION OF V-RINGS

V-rings are axial seals for shafts and bearings. V-rings seal axially against a counter face. The V-ring is reliable and effective against dust, dirt and splashing water or oil. NewDealSeals supplies various types of V-Rings, thus providing alternatives for brand names such as Frontseal®.



### KEY FEATURES

- > No wear on shaft
- > Low friction
- > High rotational speeds possible
- > No special requirements on shaft
- > Easy to mount

### SUITABLE

- > Sealing shafts from dirt, water and oil.

### NOT SUITABLE

- > Reciprocating movements
- > Pressurized applications

## HOW DO V-RINGS WORK?

V-rings are rubber face seals. The V-ring is mounted on the shaft and seals the counter surface. A V-ring is produced slightly smaller than the shaft itself, causing it to clamp onto the shaft. The lip of the seal prevents liquids and dust from the outside. When the rotational speeds increase, centrifugal forces act on the sealing lip which reduces contact pressure. This effect allows the V-rings to be used at higher rotational speeds at very low friction losses.

## TECHNICAL SPECIFICATIONS

### MOVEMENT TYPE

Static, rotating

### AVAILABLE STANDARD MATERIALS

FKM, NBR

### AVAILABLE SIZES

Any size available upon request

### HARDNESS RANGE

Shore 70

### AVAILABLE STANDARDS

-

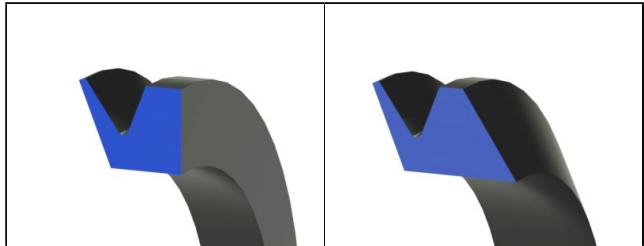
### AVAILABLE COMPLIANCES

KTW, USP, NSF 51 61, WRC, WRAS, FDA, R67 01





## V-RINGS TYPES OVERVIEW



type	V-RING AV	V-RING SV
movement type static	V	V
rotating	V	V
reciprocating	X	X
max. pressure	0 [bar]	0[bar]
shaft seating force	Medium	High
clamping bands possible	X	X
standard size available	3-2020[mm]	4-210[mm]
max. surface speed	12[m/s]	12[m/s]



type	V-RING LV	V-RING EV	V-RING AXV
movement type static	V	V	V
rotating	V	V	V
reciprocating	X	X	X
max. pressure	0 [bar]	0[bar]	0[bar]
clamping bands possible	X	V	X
shaft seating force	Medium	High	High
standard size available	135-630[mm]	3-2020[mm]	200-2000[mm]
max. surface speed	12[m/s]	12[m/s]	12[m/s]



## V-RINGS STANDARD MATERIAL OPTIONS

The list below shows our standard material options for V-rings.

V-rings of NewDealSeals can be made in any other material/specifications based on your requirements. Questions? please contact us: [sales@newdealseals.com](mailto:sales@newdealseals.com)

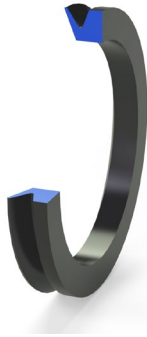
MATERIAL/SPEC	NBR	FKM
standard colour	black (N70N00E)	brown(V70M00E)
standard hardness	70 [shore A]	70 [shore A]
temp range min. max.	-35 [°C] +100 [°C]	-25 [°C] +200 [°C]
performs well in	<ul style="list-style-type: none"> <li>&gt; petroleum oils and fuels</li> <li>&gt; silicone oils &amp; greases</li> <li>&gt; ethylene glycol</li> <li>&gt; dilute acids</li> <li>&gt; water below 100 [°C]</li> </ul>	<ul style="list-style-type: none"> <li>&gt; acids</li> <li>&gt; gasoline</li> <li>&gt; low outgassing applications</li> <li>&gt; petroleum products</li> <li>&gt; silicone fluids &amp; solvens</li> <li>&gt; solvents</li> </ul>
does not perform well in	<ul style="list-style-type: none"> <li>&gt; ozone</li> <li>&gt; strong acids</li> <li>&gt; ketones</li> <li>&gt; automotive brake fluids</li> <li>&gt; aromatic hydrocarbons</li> </ul>	<ul style="list-style-type: none"> <li>&gt; amines</li> <li>&gt; hot hydrofluoric acid</li> <li>&gt; hydrocarbons</li> <li>&gt; ketones</li> <li>&gt; low temperatures</li> </ul>

\* this is a generic chart only showing a few key features of the standard materials. For more information about materials of our V-rings please look at our chemical resistance chart or contact a technical expert: [engineering@newdealseals.com](mailto:engineering@newdealseals.com)



## V-RING TYPE AV

The most common V-ring profile. The TYPE AV has a perpendicular rear face. Available for shaft diameters ranging from 3-2020 [mm]



### MATERIAL OPTIONS

MATERIAL/SPEC	NBR	FKM
standard colour	black (N70N00E)	brown (V70M00E)
standard hardness	70 [shore A]	70 [shore A]
temp range min. max.	-35 [°C] +100 [°C]	-25 [°C] +200 [°C]

### Specifications

type	V-RING AV
max. pressure	0 [bar]
shaft seating force	Medium
clamping bands possible	X
max. surface speed	12[m/s]

### PRODUCT SIZES

See next page for standard size table. Is your size not available? Please contact us:

[sales@newdealseals.com](mailto:sales@newdealseals.com)

### KEY FEATURES

- > No wear on shaft

### MOVEMENT TYPE

- > static
- > rotating

### SUITABLE

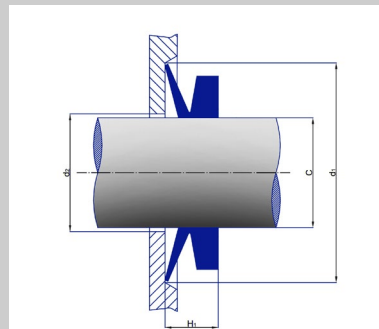
Sealing shafts from dirt, water and oil in applications without pressure.

### NOT SUITABLE

Reciprocating movements, pressurized applications.

### STANDARD SIZE RANGE

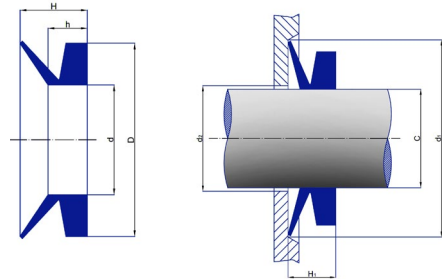
3-2020 [mm]



Installation drawing



SIZE CHART V-RING TYPE AV  
Other sizes available upon request

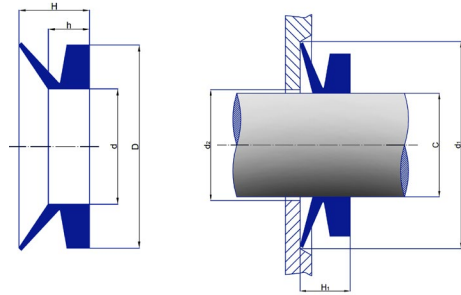


Ref	shaft diameter [mm]	ring dimensions [mm]				Wall		
	C	d	D	h	H	d2	d1	H1
AV 3	2,7 - 3,5	2,5	5,5	2,1	3	C + 1	C + 4	2,5 ± 0,3
AV 4	3,5 - 4,5	3,2	7,2	2,4	3,7	C + 1	C + 6	3 ± 0,4
AV 5	4,5 - 5,5	4	8	2,4	3,7	C + 1	C + 6	3 ± 0,4
AV 6	5,5 - 6,5	5	9	2,4	3,7	C + 1	C + 6	3 ± 0,4
AV 7	6,5 - 8	6	10	2,4	3,7	C + 1	C + 6	3 ± 0,4
AV 8	8 - 9,5	7	11	2,4	3,7	C + 1	C + 6	3 ± 0,4
AV 10	9,5 - 11,5	9	15	3,4	5,5	C + 2	C + 9	4,5 ± 0,6
AV 12	11,5 - 13,5	10,5	16,5	3,4	5,5	C + 2	C + 9	4,5 ± 0,6
AV 14	13,5 - 15,5	12,5	18,5	3,4	5,5	C + 2	C + 9	4,5 ± 0,6
AV 16	15,5 - 17,5	14	20	3,4	5,5	C + 2	C + 9	4,5 ± 0,6
AV 18	17,5 - 19	16	22	3,4	5,5	C + 2	C + 9	4,5 ± 0,6
AV 20	19 - 21	18	26	4,7	7,5	C + 2	C + 12	6 ± 0,8
AV 22	21 - 24	20	28	4,7	7,5	C + 2	C + 12	6 ± 0,8
AV 25	24 - 27	22	30	4,7	7,5	C + 2	C + 12	6 ± 0,8
AV 28	27 - 29	25	33	4,7	7,5	C + 3	C + 12	6 ± 0,8
AV 30	29 - 31	27	35	4,7	7,5	C + 3	C + 12	6 ± 0,8
AV 32	31 - 33	29	37	4,7	7,5	C + 3	C + 12	6 ± 0,8
AV 35	33 - 36	31	39	4,7	7,5	C + 3	C + 12	6 ± 0,8
AV 38	36 - 38	34	42	4,7	7,5	C + 3	C + 12	6 ± 0,8
AV 40	38 - 43	36	46	5,5	9	C + 3	C + 15	7 ± 1
AV 45	43 - 48	40	50	5,5	9	C + 3	C + 15	7 ± 1
AV 50	48 - 53	45	55	5,5	9	C + 3	C + 15	7 ± 1
AV 55	53 - 58	49	59	5,5	9	C + 3	C + 15	7 ± 1
AV 60	58 - 63	54	64	5,5	9	C + 3	C + 15	7 ± 1
AV 65	63 - 68	58	68	5,5	9	C + 3	C + 15	7 ± 1





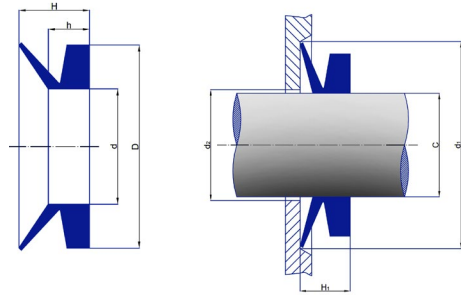
SIZE CHART V-RING TYPE AV  
Other sizes available upon request



Ref	shaft diameter [mm]	ring dimensions [mm]				Wall		
	C	d	D	h	H	d2	d1	H1
AV 70	73 - 78	67	79	6,8	11	C + 4	C + 18	9 ± 1,2
AV 75	78 - 83	72	84	6,8	11	C + 4	C + 18	9 ± 1,2
AV 80	83 - 88	76	88	6,8	11	C + 4	C + 18	9 ± 1,2
AV 85	88 - 93	81	93	6,8	11	C + 4	C + 18	9 ± 1,2
AV 90	93 - 98	85	97	6,8	11	C + 4	C + 18	9 ± 1,2
AV 95	98 - 105	90	102	6,8	11	C + 4	C + 18	9 ± 1,2
AV 100	105 - 115	99	113	7,9	12,8	C + 4	C + 21	10,5±1,5
AV 110	115 - 125	108	122	7,9	12,8	C + 4	C + 21	10,5±1,5
AV 120	125 - 135	117	131	7,9	12,8	C + 4	C + 21	10,5±1,5
AV 130	135 - 145	126	140	7,9	12,8	C + 4	C + 21	10,5±1,5
AV 140	145 - 155	135	149	7,9	12,8	C + 4	C + 21	10,5±1,5
AV 150	155 - 165	144	160	9	14,5	C + 5	C + 24	12 ± 1,8
AV 160	165 - 175	153	169	9	14,5	C + 5	C + 24	12 ± 1,8
AV 170	175 - 185	162	178	9	14,5	C + 5	C + 24	12 ± 1,8
AV 180	185 - 195	171	187	9	14,5	C + 5	C + 24	12 ± 1,8
AV 190	195 - 210	180	196	9	14,5	C + 5	C + 24	12 ± 1,8
AV 199	31 - 33	29	37	4,7	7,5	C + 3	C + 12	6 ± 0,8
AV 200	33 - 36	31	39	4,7	7,5	C + 3	C + 12	6 ± 0,8
AV 220	36 - 38	34	42	4,7	7,5	C + 3	C + 12	6 ± 0,8
AV 250	190 - 210	180	210	14,3	25	C + 10	C + 45	20 ± 4
AV 275	210 - 235	198	228	14,3	25	C + 10	C + 45	20 ± 4
AV 300	235 - 265	225	255	14,3	25	C + 10	C + 45	20 ± 4
AV 325	265 - 290	247	277	14,3	25	C + 10	C + 45	20 ± 4
AV 350	290 - 310	270	300	14,3	25	C + 10	C + 45	20 ± 4
AV 375	310 - 335	292	322	14,3	25	C + 10	C + 45	20 ± 4



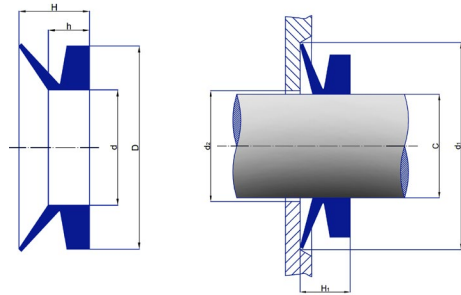
SIZE CHART V-RING TYPE AV  
Other sizes available upon request



Ref	shaft diameter [mm]	ring dimensions [mm]				Wall		
	C	d	D	h	H	d2	d1	H1
AV 400	390 - 430	360	390	14,3	25	C + 10	C + 45	20 ± 4
AV 450	430 - 480	405	435	14,3	25	C + 10	C + 45	20 ± 4
AV 500	480 - 530	450	480	14,3	25	C + 10	C + 45	20 ± 4
AV 550	530 - 580	495	525	14,3	25	C + 10	C + 45	20 ± 4
AV 600	580 - 630	540	570	14,3	25	C + 10	C + 45	20 ± 4
AV 650	630 - 665	600	630	14,3	25	C + 10	C + 45	20 ± 4
AV 700	665 - 705	630	660	14,3	25	C + 10	C + 45	20 ± 4
AV 725	705 - 745	670	700	14,3	25	C + 10	C + 45	20 ± 4
AV 750	745 - 785	705	735	14,3	25	C + 10	C + 45	20 ± 4
AV 800	785 - 830	745	775	14,3	25	C + 10	C + 45	20 ± 4
AV 850	830 - 875	785	815	14,3	25	C + 10	C + 45	20 ± 4
AV 900	875 - 920	825	855	14,3	25	C + 10	C + 45	20 ± 4
AV 950	920 - 965	865	895	14,3	25	C + 10	C + 45	20 ± 4
AV 1000	965 - 1015	910	940	14,3	25	C + 10	C + 45	20 ± 4
AV 1050	1015 - 1065	955	985	14,3	25	C + 10	C + 45	20 ± 4
AV 1100	1065 - 1115	1000	1030	14,3	25	C + 10	C + 45	20 ± 4
AV 1150	1115 - 1165	1045	1075	14,3	25	C + 10	C + 45	20 ± 4
AV 1200	1165 - 1215	1090	1120	14,3	25	C + 10	C + 45	20 ± 4
AV 1250	1215 - 1270	1135	1165	14,3	25	C + 10	C + 45	20 ± 4
AV 1300	1270 - 1320	1180	1210	14,3	25	C + 10	C + 45	20 ± 4
AV 1350	1320 - 1370	1225	1255	14,3	25	C + 10	C + 45	20 ± 4
AV 1400	1370 - 1420	1270	1300	14,3	25	C + 10	C + 45	20 ± 4
AV 1450	1420 - 1470	1315	1345	14,3	25	C + 10	C + 45	20 ± 4
AV 1500	1470 - 1520	1360	1390	14,3	25	C + 10	C + 45	20 ± 4
AV 1550	1520 - 1570	1405	1435	14,3	25	C + 10	C + 45	20 ± 4



**SIZE CHART V-RING TYPE AV**  
Other sizes available upon request



Ref	shaft diameter [mm]	ring dimensions [mm]				Wall		
	C	d	D	h	H	d2	d1	H1
AV 1600	1570 - 1620	1450	1480	14,3	25	C + 10	C + 45	20 ± 4
AV 1650	1620 - 1670	1495	1525	14,3	25	C + 10	C + 45	20 ± 4
AV 1700	1670 - 1720	1540	1570	14,3	25	C + 10	C + 45	20 ± 4
AV 1750	1720 - 1770	1585	1615	14,3	25	C + 10	C + 45	20 ± 4
AV 1800	1770 - 1820	1630	1660	14,3	25	C + 10	C + 45	20 ± 4
AV 1850	1820 - 1870	1675	1705	14,3	25	C + 10	C + 45	20 ± 4
AV 1900	1870 - 1920	1720	1750	14,3	25	C + 10	C + 45	20 ± 4
AV 1950	1920 - 1970	1765	1795	14,3	25	C + 10	C + 45	20 ± 4
AV 2000	1970 - 2020	1810	1840	14,3	25	C + 10	C + 45	20 ± 4



## V-RING TYPE SV

The most common V-ring profile. The TYPE SV has a perpendicular rear face. Available for shaft diameters ranging from 3-2020 [mm]



### MATERIAL OPTIONS

MATERIAL/SPEC	NBR	FKM
standard colour	black (N70N00E)	brown (V70M00E)
standard hardness	70 [shore A]	70 [shore A]
temp range min. max.	-35 [°C] +100 [°C]	-25 [°C] +200 [°C]

### Specifications

type	V-RING SV
max. pressure	0 [bar]
shaft seating force	High
clamping bands possible	X
max. surface speed	12[m/s]

### PRODUCT SIZES

See next page for standard size table. Is your size not available? Please contact us:  
[sales@newdealseals.com](mailto:sales@newdealseals.com)

### KEY FEATURES

- > No wear on shaft

### MOVEMENT TYPE

- > static
- > rotating

### SUITABLE

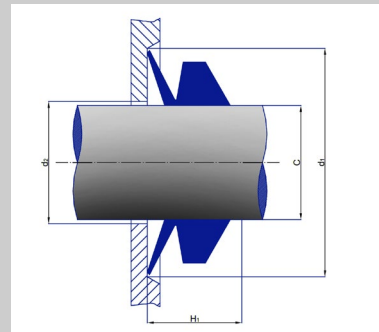
Sealing shafts from dirt, water and oil in applications without pressure.

### NOT SUITABLE

Reciprocating movements, pressurized applications.

### STANDARD SIZE RANGE

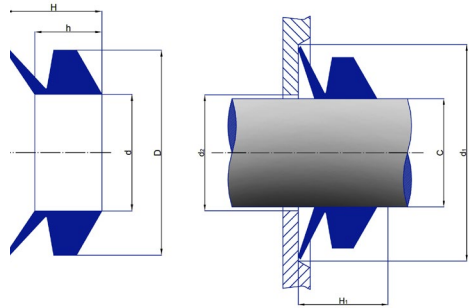
4-210 [mm]



Installation drawing



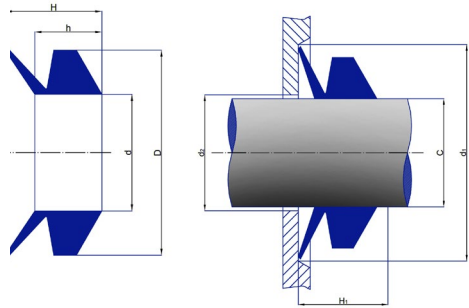
SIZE CHART V-RING TYPE SV  
Other sizes available upon request



Ref	shaft diameter [mm]	ring dimensions [mm]				Wall		
	C	d	D	h	H	d2	d1	H1
SV 5	4,5 - 5,5	4	8	3,9	5,2	C + 1	C + 6	4,5 ± 0,4
SV 6	5,5 - 6,5	5	9	3,9	5,2	C + 1	C + 6	4,5 ± 0,4
SV 7	6,5 - 8	6	10	3,9	5,2	C + 1	C + 6	4,5 ± 0,4
SV 8	8 - 9,5	7	11	3,9	5,2	C + 1	C + 6	4,5 ± 0,4
SV 10	9,5 - 11,5	9	15	5,6	7,7	C + 2	C + 9	6,7 ± 0,6
SV 12	11,5 - 13,5	10,5	16,5	5,6	7,7	C + 2	C + 9	6,7 ± 0,6
SV 14	13,5 - 15,5	12,5	18,5	5,6	7,7	C + 2	C + 9	6,7 ± 0,6
SV 16	15,5 - 17,5	14	20	5,6	7,7	C + 2	C + 9	6,7 ± 0,6
SV 18	17,5 - 19	16	22	5,6	7,7	C + 2	C + 9	6,7 ± 0,6
SV 20	19 - 21	18	26	7,9	10,5	C + 2	C + 12	9 ± 0,8
SV 22	21 - 24	20	28	7,9	10,5	C + 2	C + 12	9 ± 0,8
SV 25	24 - 27	22	30	7,9	10,5	C + 2	C + 12	9 ± 0,8
SV 28	27 - 29	25	33	7,9	10,5	C + 3	C + 12	9 ± 0,8
SV 30	29 - 31	27	35	7,9	10,5	C + 3	C + 12	9 ± 0,8
SV 32	31 - 33	29	37	7,9	10,5	C + 3	C + 12	9 ± 0,8
SV 35	33 - 36	31	39	7,9	10,5	C + 3	C + 12	9 ± 0,8
SV 38	36 - 38	34	42	7,9	10,5	C + 3	C + 12	9 ± 0,8
SV 40	38 - 43	36	46	9,5	13	C + 3	C + 15	11 ± 1
SV 45	43 - 48	40	50	9,5	13	C + 3	C + 15	11 ± 1
SV 50	48 - 53	45	55	9,5	13	C + 3	C + 15	11 ± 1
SV 55	53 - 58	49	59	9,5	13	C + 3	C + 15	11 ± 1
SV 60	58 - 63	54	64	9,5	13	C + 3	C + 15	11 ± 1
SV 65	63 - 68	58	68	9,5	13	C + 3	C + 15	11 ± 1
SV 70	68 - 73	63	75	11,3	15,5	C + 4	C + 18	13,5 ± 1,2
SV 75	73 - 78	67	79	11,3	15,5	C + 4	C + 18	13,5 ± 1,2



SIZE CHART V-RING TYPE SV  
Other sizes available upon request



Ref	shaft diameter [mm]	ring dimensions [mm]				Wall		
	C	d	D	h	H	d2	d1	H1
SV 80	78 - 83	72	84	11,3	15,5	C + 4	C + 18	13,5±1,2
SV 85	83 - 88	76	88	11,3	15,5	C + 4	C + 18	13,5±1,2
SV 90	88 - 93	81	93	11,3	15,5	C + 4	C + 18	13,5±1,2
SV 95	93 - 98	85	97	11,3	15,5	C + 4	C + 18	13,5±1,2
SV 100	98 - 105	90	102	11,3	15,5	C + 4	C + 18	13,5±1,2
SV 110	105 - 115	99	113	13,1	18	C + 4	C + 21	15,5±1,5
SV 120	115 - 125	108	122	13,1	18	C + 4	C + 21	15,5±1,5
SV 130	125 - 135	117	131	13,1	18	C + 4	C + 21	15,5±1,5
SV 140	135 - 145	126	140	13,1	18	C + 4	C + 21	15,5±1,5
SV 150	145 - 155	135	149	13,1	18	C + 4	C + 21	15,5±1,5
SV 160	155 - 165	144	160	15	20,5	C + 5	C + 24	18 ± 1,8
SV 170	165 - 175	153	169	15	20,5	C + 5	C + 24	18 ± 1,8
SV 180	175 - 185	162	178	15	20,5	C + 5	C + 24	18 ± 1,8
SV 190	185 - 195	171	187	15	20,5	C + 5	C + 24	18 ± 1,8
SV 199	195 - 210	180	196	15	20,5	C + 5	C + 24	18 ± 1,8



## V-RING TYPE LV

The LV profile is used for applications where limited space is available. Available for shaft diameters ranging from 135-630 [mm]



### MATERIAL OPTIONS

MATERIAL/SPEC	NBR	FKM
standard colour	black (N70N00E)	brown (V70M00E)
standard hardness	70 [shore A]	70 [shore A]
temp range min. max.	-35 [°C] +100 [°C]	-25 [°C] +200 [°C]

### Specifications

type	V-RING LV
max. pressure	0 [bar]
shaft seating force	Low
clamping bands possible	X
max. surface speed	12[m/s]

### PRODUCT SIZES

See next page for standard size table. Is your size not available? Please contact us:

[sales@newdealseals.com](mailto:sales@newdealseals.com)

### KEY FEATURES

- > No wear on shaft
- > Compact (for applications where space is limited)

### MOVEMENT TYPE

- > static
- > rotating

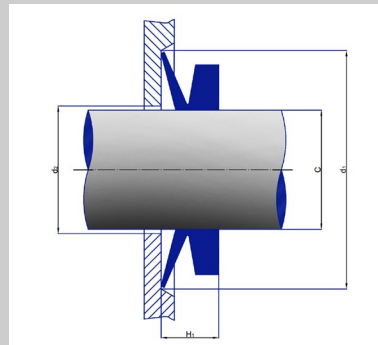
### SUITABLE

Sealing shafts from dirt, water and oil in applications without pressure.

### NOT SUITABLE

Reciprocating movements, pressurized applications.

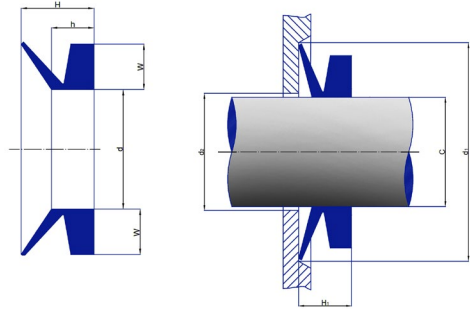
### STANDARD SIZE RANGE 135-630 [mm]



Installation drawing



SIZE CHART V-RING TYPE LV  
Other sizes available upon request

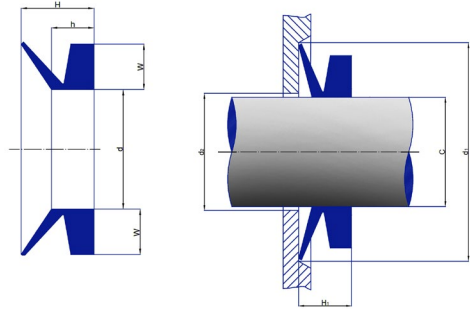


Ref	shaft diameter [mm]	ring dimensions [mm]				Wall		
	C	d	W	h	H	d2	d1	H1
LV 110	105 - 115	99	10,5	6,0	10,5	C + 5	C + 20	8 ± 1,5
LV 120	115 - 125	108	9	3,9	5,2	C + 1	C + 6	4,5 ± 0,4
LV 130	125 - 135	117	10	3,9	5,2	C + 1	C + 6	4,5 ± 0,4
LV 140	135 - 145	126	11	3,9	5,2	C + 1	C + 6	4,5 ± 0,4
LV 150	145 - 155	135	15	5,6	7,7	C + 2	C + 9	6,7 ± 0,6
LV 160	155 - 165	144	16,5	5,6	7,7	C + 2	C + 9	6,7 ± 0,6
LV 170	165 - 175	153	18,5	5,6	7,7	C + 2	C + 9	6,7 ± 0,6
LV 180	175 - 185	162	20	5,6	7,7	C + 2	C + 9	6,7 ± 0,6
LV 190	185 - 195	171	22	5,6	7,7	C + 2	C + 9	6,7 ± 0,6
LV 200	195 - 210	182	26	7,9	10,5	C + 2	C + 12	9 ± 0,8
LV 220	210 - 233	198	28	7,9	10,5	C + 2	C + 12	9 ± 0,8
LV 250	233 - 260	225	30	7,9	10,5	C + 2	C + 12	9 ± 0,8
LV 275	260 - 285	247	33	7,9	10,5	C + 3	C + 12	9 ± 0,8
LV 300	285 - 310	270	35	7,9	10,5	C + 3	C + 12	9 ± 0,8
LV 325	310 - 335	292	37	7,9	10,5	C + 3	C + 12	9 ± 0,8
LV 350	335 - 365	315	39	7,9	10,5	C + 3	C + 12	9 ± 0,8
LV 375	365 - 385	337	42	7,9	10,5	C + 3	C + 12	9 ± 0,8
LV 400	385 - 410	360	46	9,5	13	C + 3	C + 15	11 ± 1
LV 425	410 - 440	382	50	9,5	13	C + 3	C + 15	11 ± 1
LV 450	440 - 475	405	55	9,5	13	C + 3	C + 15	11 ± 1
LV 500	475 - 510	450	59	9,5	13	C + 3	C + 15	11 ± 1
LV 525	510 - 540	472	64	9,5	13	C + 3	C + 15	11 ± 1
LV 550	540 - 565	495	68	9,5	13	C + 3	C + 15	11 ± 1
LV 575	565 - 585	517	75	11,3	15,5	C + 4	C + 18	13,5 ± 1,2
LV 600	585 - 625	540	79	11,3	15,5	C + 4	C + 18	13,5 ± 1,2





SIZE CHART V-RING TYPE LV  
Other sizes available upon request



Ref	shaft diameter [mm]	ring dimensions [mm]				Wall		
	C	d	W	h	H	d2	d1	H1
LV 650	625 - 675	600	10,5	6,0	10,5	C + 5	C + 20	8 ± 1,5
LV 700	675 - 710	630	9	3,9	5,2	C + 1	C + 6	4,5 ± 0,4
LV 725	710 - 740	670	10	3,9	5,2	C + 1	C + 6	4,5 ± 0,4
LV 750	740 - 775	705	11	3,9	5,2	C + 1	C + 6	4,5 ± 0,4
LV 800	775 - 825	745	15	5,6	7,7	C + 2	C + 9	6,7 ± 0,6
LV 850	825 - 875	785	16,5	5,6	7,7	C + 2	C + 9	6,7 ± 0,6
LV 900	875 - 925	825	18,5	5,6	7,7	C + 2	C + 9	6,7 ± 0,6
LV 950	925 - 975	865	20	5,6	7,7	C + 2	C + 9	6,7 ± 0,6
LV 1000	975 - 1025	910	22	5,6	7,7	C + 2	C + 9	6,7 ± 0,6
LV 1050	1025 - 1075	955	26	7,9	10,5	C + 2	C + 12	9 ± 0,8
LV 1100	1075 - 1125	1000	28	7,9	10,5	C + 2	C + 12	9 ± 0,8
LV 1150	1125 - 1175	1045	30	7,9	10,5	C + 2	C + 12	9 ± 0,8
LV 1200	1175 - 1225	1090	33	7,9	10,5	C + 3	C + 12	9 ± 0,8



## V-RING TYPE EV

The EV profile is used for heavy duty purposes with large diameters. This profile has an additional chamber for mounting clamping bands. These clamping bands can be used to create additional axial fixation



### MATERIAL OPTIONS

MATERIAL/SPEC	NBR	FKM
standard colour	black (N70N00E)	brown (V70M00E)
standard hardness	70 [shore A]	70 [shore A]
temp range min. max.	-35 [°C] +100 [°C]	-25 [°C] +200 [°C]

### Specifications

type	V-RING EV
max. pressure	0 [bar]
shaft seating force	High
clamping bands possible	V
max. surface speed	12[m/s]

### PRODUCT SIZES

See next page for standard size table. Is your size not available? Please contact us:  
[sales@newdealseals.com](mailto:sales@newdealseals.com)

### KEY FEATURES

- > No wear on shaft
- > Additional chamber for mounting clamping bands

### MOVEMENT TYPE

- > static
- > rotating

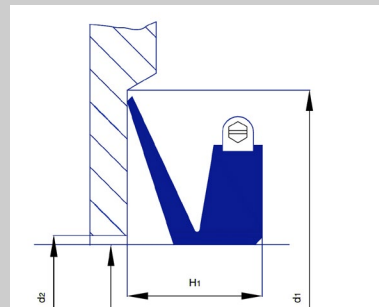
### SUITABLE

Sealing shafts from dirt, water and oil in applications without pressure.

### NOT SUITABLE

Reciprocating movements, pressurized applications.

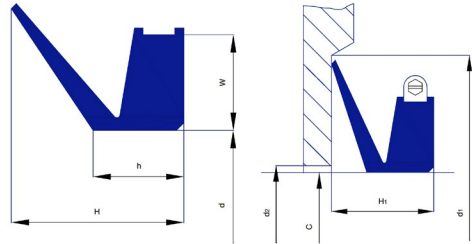
STANDARD SIZE RANGE  
3-2020 [mm]



Installation drawing



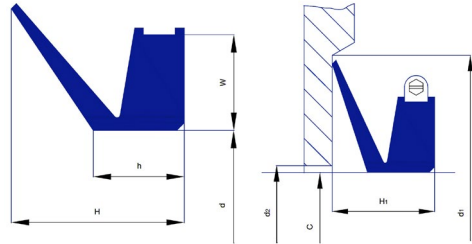
SIZE CHART V-RING TYPE EV  
Other sizes available upon request



Ref	shaft diameter [mm]	ring dimensions [mm]				Wall		
	C	d	W	h	H	d2	d1	H1
EV 300	300 - 305	294	30	32	65	C + 24	C + 115	50 ± 12
EV 305	305 - 310	299	30	32	65	C + 24	C + 115	50 ± 12
EV 310	310 - 315	304	30	32	65	C + 24	C + 115	50 ± 12
EV 315	315 - 320	309	30	32	65	C + 24	C + 115	50 ± 12
EV 320	320 - 325	314	30	32	65	C + 24	C + 115	50 ± 12
EV 325	325 - 330	319	30	32	65	C + 24	C + 115	50 ± 12
EV 330	330 - 335	323	30	32	65	C + 24	C + 115	50 ± 12
EV 335	335 - 340	328	30	32	65	C + 24	C + 115	50 ± 12
EV 340	340 - 345	333	30	32	65	C + 24	C + 115	50 ± 12
EV 345	345 - 350	338	30	32	65	C + 24	C + 115	50 ± 12
EV 350	350 - 355	343	30	32	65	C + 24	C + 115	50 ± 12
EV 355	355 - 360	347	30	32	65	C + 24	C + 115	50 ± 12
EV 360	360 - 365	352	30	32	65	C + 24	C + 115	50 ± 12
EV 365	365 - 370	357	30	32	65	C + 24	C + 115	50 ± 12
EV 370	370 - 375	362	30	32	65	C + 24	C + 115	50 ± 12
EV 375	375 - 380	367	30	32	65	C + 24	C + 115	50 ± 12
EV 380	380 - 385	371	30	32	65	C + 24	C + 115	50 ± 12
EV 385	385 - 390	376	30	32	65	C + 24	C + 115	50 ± 12
EV 390	390 - 395	381	30	32	65	C + 24	C + 115	50 ± 12
EV 395	395 - 400	386	30	32	65	C + 24	C + 115	50 ± 12
EV 400	400 - 405	391	30	32	65	C + 24	C + 115	50 ± 12
EV 405	405 - 410	396	30	32	65	C + 24	C + 115	50 ± 12
EV 410	410 - 415	401	30	32	65	C + 24	C + 115	50 ± 12
EV 415	415 - 420	405	30	32	65	C + 24	C + 115	50 ± 12
EV 420	420 - 425	410	30	32	65	C + 24	C + 115	50 ± 12



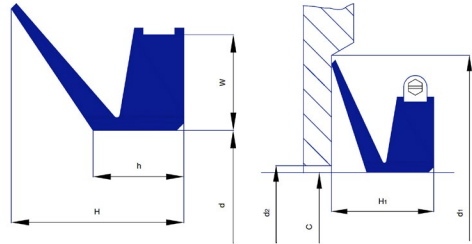
SIZE CHART V-RING TYPE EV  
Other sizes available upon request



Ref	shaft diameter [mm]	ring dimensions [mm]				Wall		
	C	d	W	h	H	d2	d1	H1
EV 425	425 - 430	415	30	32	65	C + 24	C + 115	50 ± 12
EV 430	430 - 435	420	30	32	65	C + 24	C + 115	50 ± 12
EV 435	435 - 440	425	30	32	65	C + 24	C + 115	50 ± 12
EV 440	440 - 445	429	30	32	65	C + 24	C + 115	50 ± 12
EV 445	445 - 450	434	30	32	65	C + 24	C + 115	50 ± 12
EV 450	450 - 455	439	30	32	65	C + 24	C + 115	50 ± 12
EV 455	455 - 460	444	30	32	65	C + 24	C + 115	50 ± 12
EV 460	460 - 465	448	30	32	65	C + 24	C + 115	50 ± 12
EV 465	465 - 470	453	30	32	65	C + 24	C + 115	50 ± 12
EV 470	470 - 475	458	30	32	65	C + 24	C + 115	50 ± 12
EV 475	475 - 480	463	30	32	65	C + 24	C + 115	50 ± 12
EV 480	480 - 485	468	30	32	65	C + 24	C + 115	50 ± 12
EV 485	485 - 490	473	30	32	65	C + 24	C + 115	50 ± 12
EV 490	490 - 495	478	30	32	65	C + 24	C + 115	50 ± 12
EV 495	495 - 500	483	30	32	65	C + 24	C + 115	50 ± 12
EV 500	500 - 505	488	30	32	65	C + 24	C + 115	50 ± 12
EV 505	505 - 510	493	30	32	65	C + 24	C + 115	50 ± 12
EV 510	510 - 515	497	30	32	65	C + 24	C + 115	50 ± 12
EV 515	515 - 520	502	30	32	65	C + 24	C + 115	50 ± 12
EV 520	520 - 525	507	30	32	65	C + 24	C + 115	50 ± 12
EV 525	525 - 530	512	30	32	65	C + 24	C + 115	50 ± 12
EV 530	530 - 535	517	30	32	65	C + 24	C + 115	50 ± 12
EV 535	535 - 540	521	30	32	65	C + 24	C + 115	50 ± 12
EV 540	540 - 545	526	30	32	65	C + 24	C + 115	50 ± 12
EV 545	545 - 550	531	30	32	65	C + 24	C + 115	50 ± 12



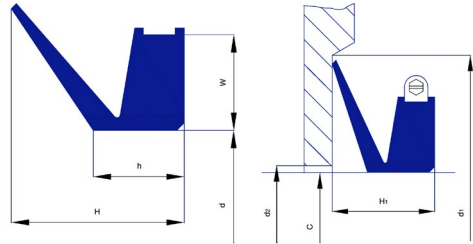
SIZE CHART V-RING TYPE EV  
Other sizes available upon request



Ref	shaft diameter [mm]	ring dimensions [mm]				Wall		
	C	d	W	h	H	d2	d1	H1
EV 550	550 - 555	536	30	32	65	C + 24	C + 115	50 ± 12
EV 555	555 - 560	541	30	32	65	C + 24	C + 115	50 ± 12
EV 560	560 - 565	546	30	32	65	C + 24	C + 115	50 ± 12
EV 565	565 - 570	550	30	32	65	C + 24	C + 115	50 ± 12
EV 570	570 - 575	555	30	32	65	C + 24	C + 115	50 ± 12
EV 575	575 - 580	560	30	32	65	C + 24	C + 115	50 ± 12
EV 580	580 - 585	565	30	32	65	C + 24	C + 115	50 ± 12
EV 585	585 - 590	570	30	32	65	C + 24	C + 115	50 ± 12
EV 590	590 - 600	575	30	32	65	C + 24	C + 115	50 ± 12
EV 600	600 - 610	582	30	32	65	C + 24	C + 115	50 ± 12
EV 610	610 - 620	592	30	32	65	C + 24	C + 115	50 ± 12
EV 620	620 - 630	602	30	32	65	C + 24	C + 115	50 ± 12
EV 630	630 - 640	612	30	32	65	C + 24	C + 115	50 ± 12
EV 640	640 - 650	621	30	32	65	C + 24	C + 115	50 ± 12
EV 650	650 - 660	631	30	32	65	C + 24	C + 115	50 ± 12
EV 660	660 - 670	640	30	32	65	C + 24	C + 115	50 ± 12
EV 670	670 - 680	650	30	32	65	C + 24	C + 115	50 ± 12
EV 680	680 - 690	660	30	32	65	C + 24	C + 115	50 ± 12
EV 690	690 - 700	670	30	32	65	C + 24	C + 115	50 ± 12
EV 700	700 - 710	680	30	32	65	C + 24	C + 115	50 ± 12
EV 710	710 - 720	689	30	32	65	C + 24	C + 115	50 ± 12
EV 720	720 - 730	699	30	32	65	C + 24	C + 115	50 ± 12
EV 730	730 - 740	709	30	32	65	C + 24	C + 115	50 ± 12
EV 740	740 - 750	718	30	32	65	C + 24	C + 115	50 ± 12
EV 750	750 - 758	728	30	32	65	C + 24	C + 115	50 ± 12



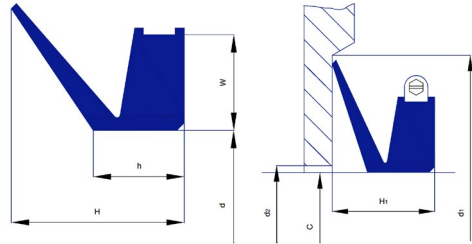
SIZE CHART V-RING TYPE EV  
Other sizes available upon request



Ref	shaft diameter [mm]	ring dimensions [mm]				Wall		
	C	d	W	h	H	d2	d1	H1
EV 760	758 - 766	735	30	32	65	C + 24	C + 115	50 ± 12
EV 770	766 - 774	743	30	32	65	C + 24	C + 115	50 ± 12
EV 780	774 - 783	751	30	32	65	C + 24	C + 115	50 ± 12
EV 790	783 - 792	759	30	32	65	C + 24	C + 115	50 ± 12
EV 800	792 - 801	768	30	32	65	C + 24	C + 115	50 ± 12
EV 810	801 - 810	777	30	32	65	C + 24	C + 115	50 ± 12
EV 820	810 - 821	786	30	32	65	C + 24	C + 115	50 ± 12
EV 830	821 - 831	796	30	32	65	C + 24	C + 115	50 ± 12
EV 840	831 - 841	805	30	32	65	C + 24	C + 115	50 ± 12
EV 850	841 - 851	814	30	32	65	C + 24	C + 115	50 ± 12
EV 860	851 - 861	824	30	32	65	C + 24	C + 115	50 ± 12
EV 870	861 - 871	833	30	32	65	C + 24	C + 115	50 ± 12
EV 880	871 - 882	843	30	32	65	C + 24	C + 115	50 ± 12
EV 890	882 - 892	853	30	32	65	C + 24	C + 115	50 ± 12
EV 900	892 - 912	871	30	32	65	C + 24	C + 115	50 ± 12
EV 920	912 - 922	880	30	32	65	C + 24	C + 115	50 ± 12
EV 930	922 - 933	890	30	32	65	C + 24	C + 115	50 ± 12
EV 940	933 - 944	900	30	32	65	C + 24	C + 115	50 ± 12
EV 950	944 - 955	911	30	32	65	C + 24	C + 115	50 ± 12
EV 960	955 - 966	921	30	32	65	C + 24	C + 115	50 ± 12
EV 970	966 - 977	932	30	32	65	C + 24	C + 115	50 ± 12
EV 980	977 - 988	942	30	32	65	C + 24	C + 115	50 ± 12
EV 990	988 - 999	953	30	32	65	C + 24	C + 115	50 ± 12
EV 1000	999 - 1010	963	30	32	65	C + 24	C + 115	50 ± 12
EV 1020	1010 - 1025	973	30	32	65	C + 24	C + 115	50 ± 12



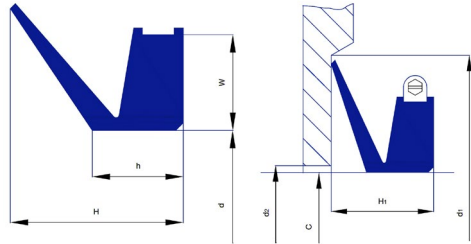
SIZE CHART V-RING TYPE EV  
Other sizes available upon request



Ref	shaft diameter [mm]	ring dimensions [mm]				Wall		
	C	d	W	h	H	d2	d1	H1
EV 1140	1125 - 1145	1084	30	32	65	C + 24	C + 115	50 ± 12
EV 1160	1145 - 1165	1103	30	32	65	C + 24	C + 115	50 ± 12
EV 1180	1165 - 1185	1121	30	32	65	C + 24	C + 115	50 ± 12
EV 1200	1185 - 1205	1139	30	32	65	C + 24	C + 115	50 ± 12
EV 1220	1205 - 1225	1157	30	32	65	C + 24	C + 115	50 ± 12
EV 1240	1225 - 1245	1176	30	32	65	C + 24	C + 115	50 ± 12
EV 1260	1245 - 1270	1195	30	32	65	C + 24	C + 115	50 ± 12
EV 1280	1270 - 1295	1218	30	32	65	C + 24	C + 115	50 ± 12
EV 1300	1295 - 1315	1240	30	32	65	C + 24	C + 115	50 ± 12
EV 1325	1315 - 1340	1259	30	32	65	C + 24	C + 115	50 ± 12
EV 1350	1340 - 1365	1281	30	32	65	C + 24	C + 115	50 ± 12
EV 1375	1365 - 1390	1305	30	32	65	C + 24	C + 115	50 ± 12
EV 1400	1390 - 1415	1328	30	32	65	C + 24	C + 115	50 ± 12
EV 1425	1415 - 1440	1350	30	32	65	C + 24	C + 115	50 ± 12
EV 1450	1440 - 1465	1374	30	32	65	C + 24	C + 115	50 ± 12
EV 1475	1465 - 1490	1397	30	32	65	C + 24	C + 115	50 ± 12
EV 1500	1490 - 1515	1419	30	32	65	C + 24	C + 115	50 ± 12
EV 1525	1515 - 1540	1443	30	32	65	C + 24	C + 115	50 ± 12
EV 1550	1540 - 1570	1467	30	32	65	C + 24	C + 115	50 ± 12
EV 1575	1570 - 1600	1495	30	32	65	C + 24	C + 115	50 ± 12
EV 1600	1600 - 1640	1524	30	32	65	C + 24	C + 115	50 ± 12
EV 1650	1640 - 1680	1559	30	32	65	C + 24	C + 115	50 ± 12
EV 1700	1680 - 1720	1596	30	32	65	C + 24	C + 115	50 ± 12
EV 1750	1720 - 1765	1632	30	32	65	C + 24	C + 115	50 ± 12
EV 1800	1765 - 1810	1671	30	32	65	C + 24	C + 115	50 ± 12



SIZE CHART V-RING TYPE EV  
Other sizes available upon request



Ref	shaft diameter [mm]	ring dimensions [mm]				Wall		
	C	d	W	h	H	d2	d1	H1
EV 1850	1810 - 1855	1714	30	32	65	C + 24	C + 115	50 ± 12
EV 1900	1855 - 1905	1753	30	32	65	C + 24	C + 115	50 ± 12
EV 1950	1905 - 1955	1794	30	32	65	C + 24	C + 115	50 ± 12
EV 2000	1955 - 2010	1844	30	32	65	C + 24	C + 115	50 ± 12





## V-RING TYPE AXV

The AXV profile is the heavy duty front seal, designed for large high speed bearing arrangements. Available for shaft diameters ranging from 200-2000 [mm]



### MATERIAL OPTIONS

MATERIAL/SPEC	NBR	FKM
standard colour	black (N70N00E)	brown (V70M00E)
standard hardness	70 [shore A]	70 [shore A]
temp range min. max.	-35 [°C] +100 [°C]	-25 [°C] +200 [°C]

### Specifications

type	V-RING AXV
max. pressure	0 [bar]
shaft seating force	High
clamping bands possible	X
max. surface speed	12[m/s]

### PRODUCT SIZES

See next page for standard size table. Is your size not available? Please contact us:

[sales@newdealseals.com](mailto:sales@newdealseals.com)

### KEY FEATURES

- > No wear on shaft

### MOVEMENT TYPE

- > static
- > rotating

### SUITABLE

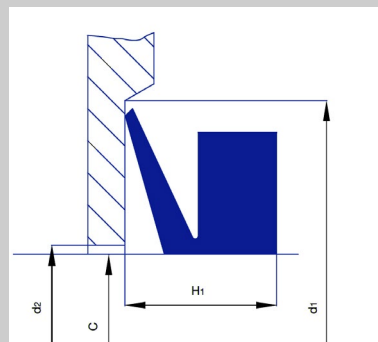
Sealing shafts from dirt, water and oil in applications without pressure.

### NOT SUITABLE

Reciprocating movements, pressurized applications.

### STANDARD SIZE RANGE

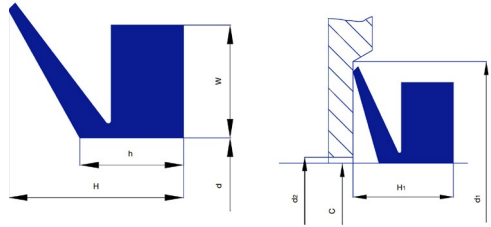
200-2000 [mm]



Installation drawing



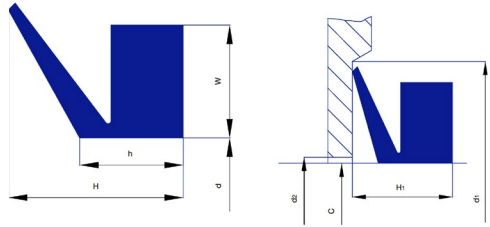
SIZE CHART V-RING TYPE AXV  
Other sizes available upon request



Ref	shaft diameter [mm]	ring dimensions [mm]				Wall		
	C	d	W	h	H	d2	d1	H1
AXV 200	200 - 205	192	17.8	17.3	31	C + 12	C + 50	25 ± 5
AXV 205	205 - 210	196	17.8	17.3	31	C + 12	C + 50	25 ± 5
AXV 210	210 - 215	200	17.8	17.3	31	C + 12	C + 50	25 ± 5
AXV 215	215 - 219	204	17.8	17.3	31	C + 12	C + 50	25 ± 5
AXV 220	219 - 224	207	17.8	17.3	31	C + 12	C + 50	25 ± 5
AXV 225	224 - 228	211	17.8	17.3	31	C + 12	C + 50	25 ± 5
AXV 230	228 - 232	215	17.8	17.3	31	C + 12	C + 50	25 ± 5
AXV 235	232 - 236	219	17.8	17.3	31	C + 12	C + 50	25 ± 5
AXV 240	236 - 240	223	17.8	17.3	31	C + 12	C + 50	25 ± 5
AXV 250	240 - 250	227	17.8	17.3	31	C + 12	C + 50	25 ± 5
AXV 260	250 - 260	236	17.8	17.3	31	C + 12	C + 50	25 ± 5
AXV 270	260 - 270	245	17.8	17.3	31	C + 12	C + 50	25 ± 5
AXV 280	270 - 281	255	17.8	17.3	31	C + 12	C + 50	25 ± 5
AXV 290	281 - 292	265	17.8	17.3	31	C + 12	C + 50	25 ± 5
AXV 300	292 - 303	275	17.8	17.3	31	C + 12	C + 50	25 ± 5
AXV 310	303 - 313	285	17.8	17.3	31	C + 12	C + 50	25 ± 5
AXV 320	313 - 325	295	17.8	17.3	31	C + 12	C + 50	25 ± 5
AXV 330	325 - 335	305	17.8	17.3	31	C + 12	C + 50	25 ± 5
AXV 340	335 - 345	315	17.8	17.3	31	C + 12	C + 50	25 ± 5
AXV 350	345 - 355	322	17.8	17.3	31	C + 12	C + 50	25 ± 5
AXV 360	355 - 372	328	17.8	17.3	31	C + 12	C + 50	25 ± 5
AXV 380	372 - 390	344	17.8	17.3	31	C + 12	C + 50	25 ± 5
AXV 400	390 - 415	360	17.8	17.3	31	C + 12	C + 50	25 ± 5
AXV 425	415 - 443	385	17.8	17.3	31	C + 12	C + 50	25 ± 5
AXV 450	443 - 480	410	17.8	17.3	31	C + 12	C + 50	25 ± 5



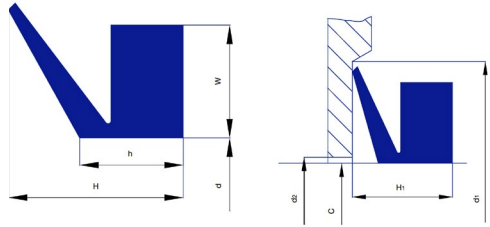
SIZE CHART V-RING TYPE AXV  
Other sizes available upon request



Ref	shaft diameter [mm]	ring dimensions [mm]				Wall		
	c	d	W	h	H	d2	d1	H1
AXV 500	480 - 530	450	17.8	17.3	31	C + 12	C + 50	25 ± 5
AXV 550	530 - 580	495	17.8	17.3	31	C + 12	C + 50	25 ± 5
AXV 600	580 - 630	540	17.8	17.3	31	C + 12	C + 50	25 ± 5
AXV 650	630 - 665	600	17.8	17.3	31	C + 12	C + 50	25 ± 5
AXV 700	665 - 705	630	17.8	17.3	31	C + 12	C + 50	25 ± 5
AXV 725	705 - 745	670	17.8	17.3	31	C + 12	C + 50	25 ± 5
AXV 750	745 - 785	705	17.8	17.3	31	C + 12	C + 50	25 ± 5
AXV 800	785 - 830	745	17.8	17.3	31	C + 12	C + 50	25 ± 5
AXV 850	830 - 875	785	17.8	17.3	31	C + 12	C + 50	25 ± 5
AXV 900	875 - 920	825	17.8	17.3	31	C + 12	C + 50	25 ± 5
AXV 950	920 - 965	865	17.8	17.3	31	C + 12	C + 50	25 ± 5
AXV 1000	965 - 1015	910	17.8	17.3	31	C + 12	C + 50	25 ± 5
AXV 1050	1015 - 1065	955	17.8	17.3	31	C + 12	C + 50	25 ± 5
AXV 1100	1065 - 1115	1000	17.8	17.3	31	C + 12	C + 50	25 ± 5
AXV 1150	1115 - 1165	1045	17.8	17.3	31	C + 12	C + 50	25 ± 5
AXV 1200	1165 - 1215	1090	17.8	17.3	31	C + 12	C + 50	25 ± 5
AXV 1250	1215 - 1270	1135	17.8	17.3	31	C + 12	C + 50	25 ± 5
AXV 1300	1270 - 1320	1180	17.8	17.3	31	C + 12	C + 50	25 ± 5
AXV 1350	1320 - 1370	1225	17.8	17.3	31	C + 12	C + 50	25 ± 5
AXV 1400	1370 - 1420	1270	17.8	17.3	31	C + 12	C + 50	25 ± 5
AXV 1450	1420 - 1470	1315	17.8	17.3	31	C + 12	C + 50	25 ± 5
AXV 1500	1470 - 1520	1360	17.8	17.3	31	C + 12	C + 50	25 ± 5
AXV 1550	1520 - 1570	1405	17.8	17.3	31	C + 12	C + 50	25 ± 5
AXV 1600	1570 - 1620	1450	17.8	17.3	31	C + 12	C + 50	25 ± 5
AXV 1650	1620 - 1670	1495	17.8	17.3	31	C + 12	C + 50	25 ± 5



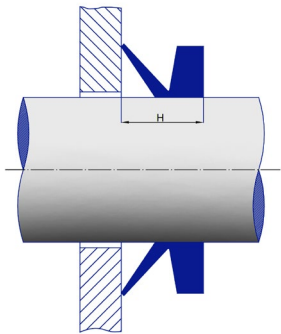
SIZE CHART V-RING TYPE AXV  
Other sizes available upon request



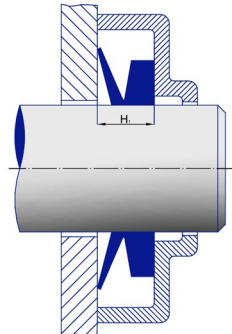
Ref	shaft diameter [mm]	ring dimensions [mm]				Wall		
	C	d	W	h	H	d2	d1	H1
AXV 1700	1670 - 1720	1540	17.8	17.3	31	C + 12	C + 50	25 ± 5
AXV 1750	1720 - 1770	1585	17.8	17.3	31	C + 12	C + 50	25 ± 5
AXV 1800	1770 - 1820	1630	17.8	17.3	31	C + 12	C + 50	25 ± 5
AXV 1850	1820 - 1870	1675	17.8	17.3	31	C + 12	C + 50	25 ± 5
AXV 1900	1870 - 1920	1720	17.8	17.3	31	C + 12	C + 50	25 ± 5
AXV 1950	1920 - 1970	1765	17.8	17.3	31	C + 12	C + 50	25 ± 5
AXV 2000	1970 - 2020	1810	17.8	17.3	31	C + 12	C + 50	25 ± 5

## INSTALLATION AND OPERATION

Fitting a V-ring is very simple. The ring must be slightly stretched and pushed along the shaft. It can either be done manually or with a simple tool, in a way that the distance to the counterface can be maintained constant over the circumference using little pressure. The lip of the V-ring should be lubricated with a thin film of grease or silicone oil. In case where friction must be reduced, coat the counterface with a low friction agent and do not apply grease to the lip. The shaft should be preferably dry and free from oil and grease.



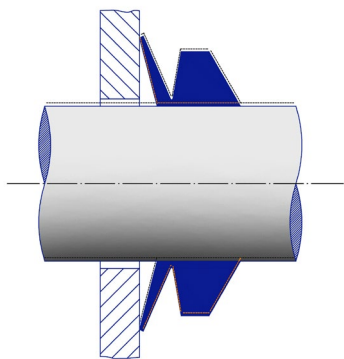
V-ring not preloaded



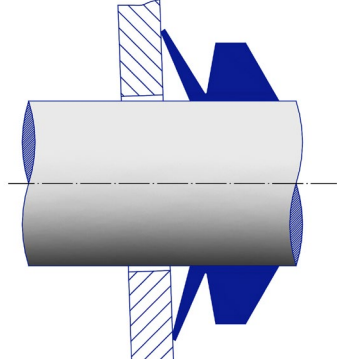
V-ringed with preloading using a tool

## ECCENTRICITY / MISALIGNMENT

The V-shape of the V-ring provides an effective and reliable sealing even with oval section, shaft run-out, eccentricity or shaft misalignment. Sealing is not even affected by a slightly tilted counterface (maximum permissible flatness deviation is usually defined as 0.4 [mm] per 100 [mm]).



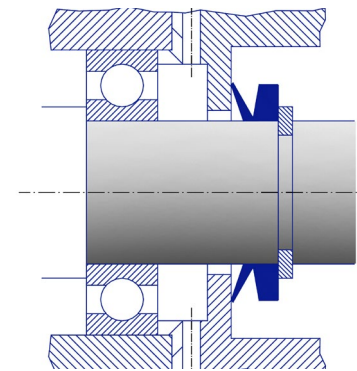
oval and/or eccentrically turning



tilted countersurface

## COUNTERFACE

The type of counterface finish is very important for an efficient sealing and for useful life of the seal. The surface must be smooth, free of scratches and sharp peaks. The choice of surface finish depends on the medium that has to be sealed and on the shaft speed. The choice of counterface materials is highly dependant on the medium too. For normal operating conditions, conventional mild steel of min 125 HB is sufficient. With an increase in speed and the presence of abrasive particles, the hardness of the counterface must also be increased. Surface treatment is suggested for water splashes or other corrosive media.

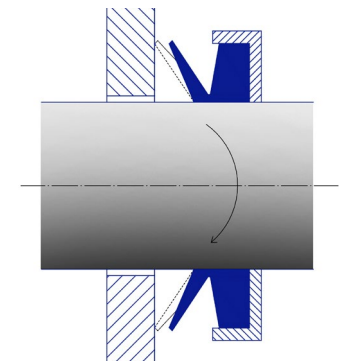


## PERIPHERAL SPEED

Due to the influence of the centrifugal force, the contact pressure of the lip decreases with increased speed.

At peripheral speed up to 8 [m/s] the lip of the V-ring has a good pressure against the counterface and it has the function of a light contact seal.

Over 8 [m/s] the seal must be axially supported and above 12 [m/s] radial retention is necessary, mounting the V-ring in an axial groove or applying an adequate support.





## ORDER CODE

Enquiries can be send to: [sales@newdealseals.com](mailto:sales@newdealseals.com)

V-RING	-	XXX	-	0000	-	00
SEAL GROUP		TYPE		REFERENCE SIZE		COMPOUND
V-RING		AV,SV,LV,EV,AXV		(see size charts)		01 = NBR
						02 = FKM
						03 = VMQ
						04 = ACM

## EXAMPLE

V-RING - AV - 220 - 01

V-RING, TYPE AV, Reference size 220, NBR

**NEWDEALSEALS B.V.**  
Energiestraat 2  
1749 DN Warmenhuizen  
The Netherlands

+31 (0)226 36 22 33  
info@newdealseals.com  
www.newdealseals.com

©2021 New Deal Seals B.V.  
All rights reserved.